

PROCON[®]

SERIES 5 Magnetically Coupled Pumps

Positive Displacement Rotary Vane

GENERAL INFORMATION

PROCON's Series 5 magnetically coupled pumps are positive displacement rotary-vane type with capacities to 330 gallons per hour and discharge pressures up to 200 PSI.

- Stainless steel construction.
- Increased fluid compatibility through elimination of the mechanical seal.
- Extremely quiet in operation.
- Preassembled, tested and shipped as a space saving package.
- Uniquely capable of handling many liquids with low lubricating characteristics at relatively high pressures.
- Carbon bearing surfaces and unique design eliminate metal-to-metal contact and make PROCON pumps low in starting torque.
- Eliminates drive-line wear caused by conventional couplings.
- PROCON pumps are self priming.
- PROCON pumps are quiet and have low vibration and pulsation characteristics.
- Flow remains constant over the entire pressure range.
- PROCON pumps do not have to be lubricated and are virtually maintenance-free throughout their entire life.



OPTIONS

- Available with or without integral relief valve.
- Motor
 - 115/230 Volt 60/50 Hertz
- Magnet Options
 - C1 Magnets (Low Pressure)
 - C8 Magnets (High Pressure)

STANDARD SPECIFICATIONS

Body Material	Type 303 stainless steel
Capacity	115 to 330* GPH
Nominal Speed	1725 RPM
Motor Power Requirements	115/230 Volt 50/60 HZ Single Phase 1/2 HP
Maximum Discharge Pressure	200 PSI
Rotation (viewed from nameplate end)	Clockwise
Dry Weight	Approximately 35 lbs.
Dimensions	6.90" x6.79" x15.25"
Port Size	SAE 7/8-14 straight thread o-ring boss

PROCON[®] Products

Food Service Group

910 Ridgely Road
Murfreesboro, TN 37129 U.S.A.

Telephone: (615) 890-5710
Fax: (615) 896-7729

Email: mail@proconpump.com
www.proconpump.com

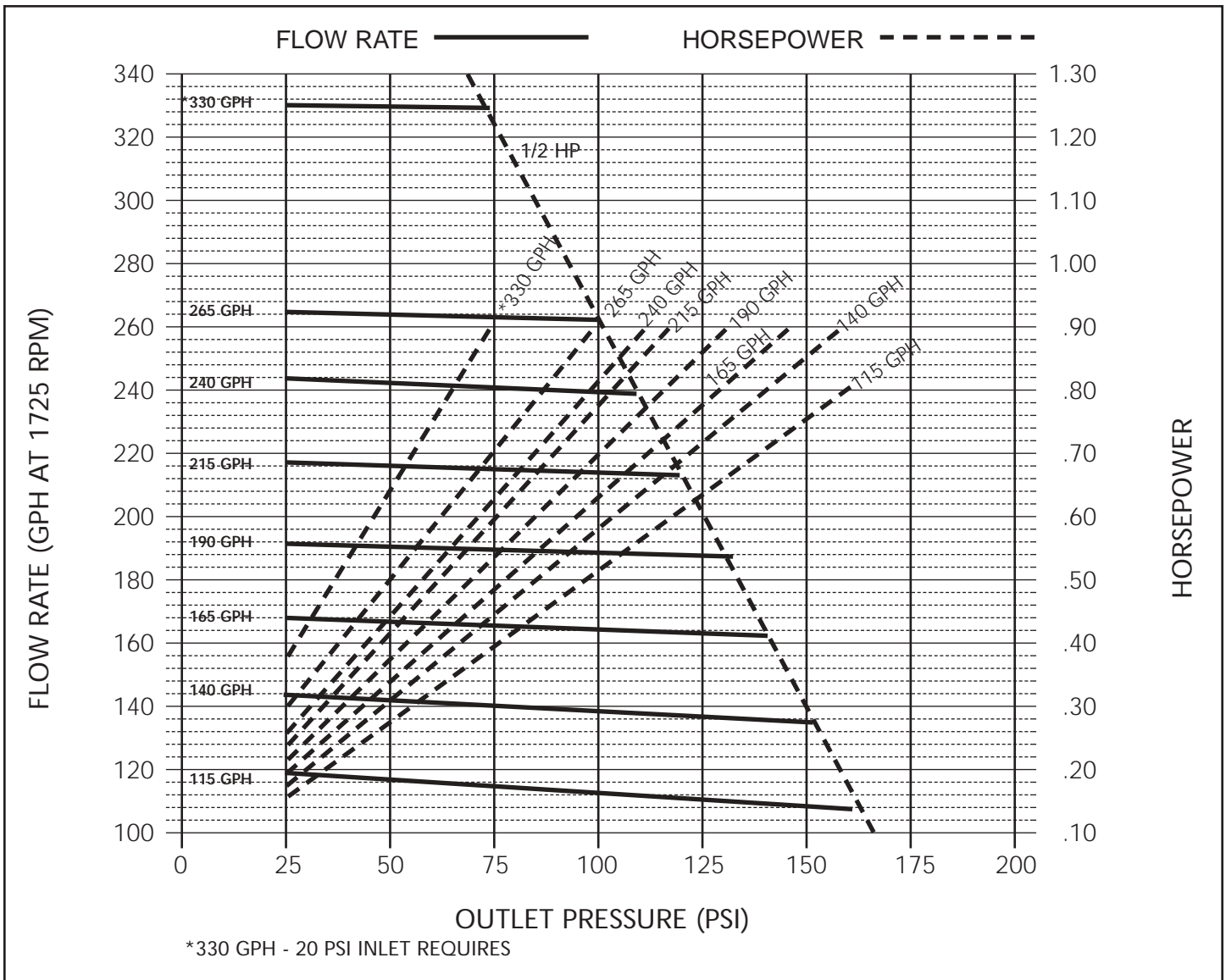


"QUALITY PRODUCTS - DELIVERED ON TIME"



SERIES 5 MAGNETIC DRIVE NOMINAL VALUES

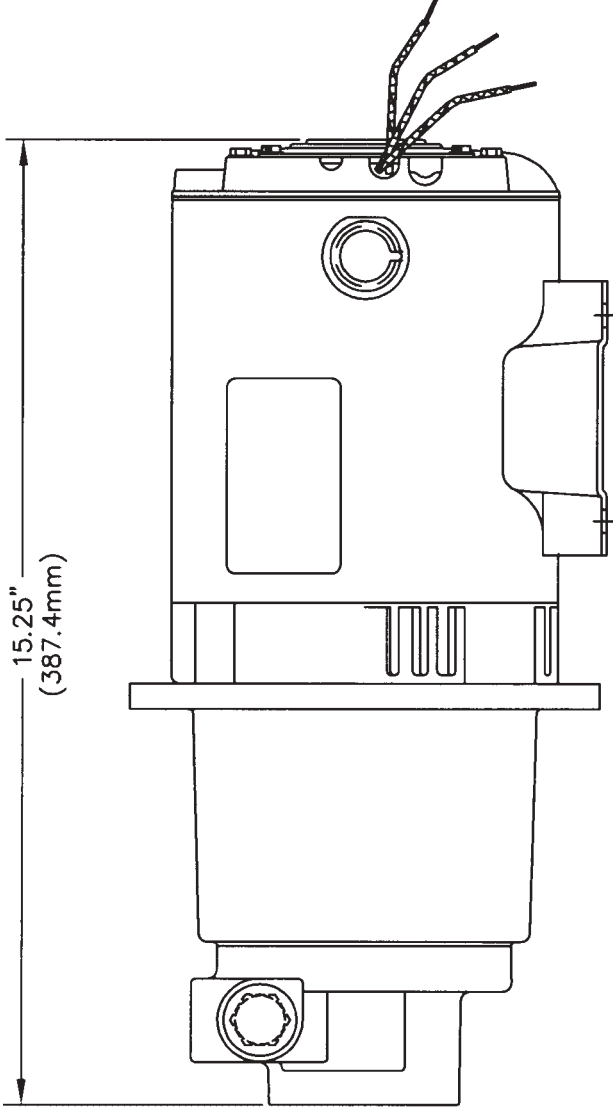
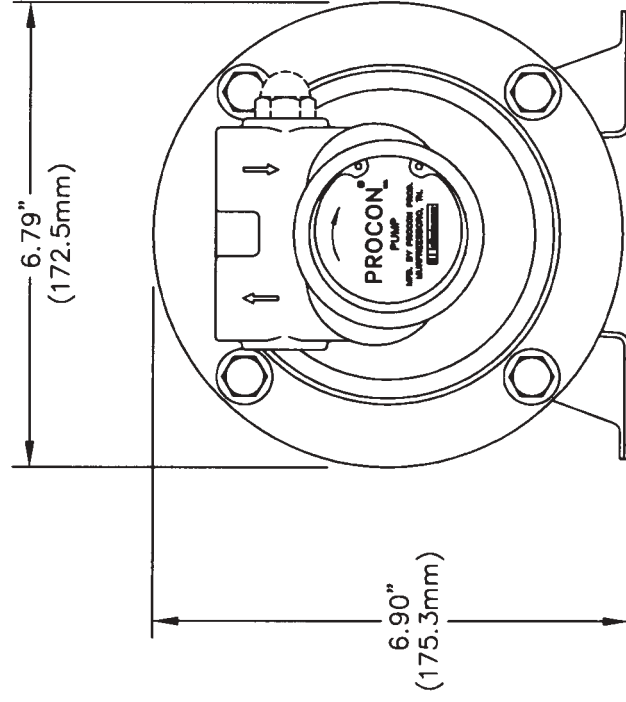
FLOW RATE (GPH)	GALLONS PER HOUR					BRAKE HORSEPOWER				
	PRESSURE (PSI)					PRESSURE (PSI)				
	50	100	150	200	250	50	100	150	200	250
330	331	-	-	-	-	.36	-	-	-	-
265	265	263	-	-	-	.30	.49	-	-	-
240	243	240	-	-	-	.27	.45	-	-	-
215	218	215	-	-	-	.26	.44	-	-	-
190	193	190	-	-	-	.24	.41	-	-	-
165	168	165	-	-	-	.22	.36	-	-	-
140	143	140	137	-	-	.21	.34	.48	-	-
115	118	115	112	-	-	.19	.31	.43	-	-



PROCON®

SERIES 5 Magnetically Coupled Pumps

Positive Displacement Rotary Vane



NOTES:

1. ALL DIMENSIONS FOR REFERENCE ONLY
2. LEADS ARE 12" ±1"
3. OPTIONAL RELIEF VALVE